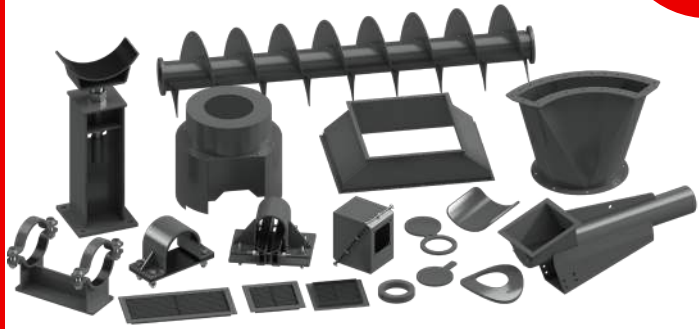




**COGBILL  
PLATE  
FABRICATION  
SERVICES**



- CAD/CAM DESIGN SYSTEMS
- PRECISION CNC CUTTING SYSTEMS
- HYDRAULIC PRESS BRAKES, PLATE ROLLS, DRILL PRESSES, ETC.
- SHEARS, IRONWORKERS & DRILLS
- PLASMA & ACETYLENE TORCHES
- GTAW, FCAW, SMAW & GMAW WELDING
- QUICK TURNAROUND SHORT RUNS

Cogbill Construction is a specialist in custom plate fabrication, serving Texas and Louisiana since its inception in 1999. Our management and production teams offer decades of experience in this field. Our processes entail design, 3D CAD modeling and texturing, detailing, CNC Plasma cutting, punching, drilling, forming (bending, rolling), fitting, tacking, welding, cleaning, shipping, and installing. We work with carbon steel, stainless steel, aluminum, and most exotic alloys. Our welders are certified on both AWS D1.1 and ASME Section IX welding standards.

We designed our quality system to ensure that projects are built precisely to customer requirements while adhering to AWS and AISC quality standards. Our safety culture ensures projects are completed safely and in compliance with ISNetworld and Avetta standards. We pride ourselves on always finishing projects on time and under budget; a Cogbill commitment to all our customers. Try us and feel the difference.



(409) 768-1419  
Sales@CogbillConstruction.com  
2325 S. Main - Vidor, Texas 77662  
[www.CogbillConstruction.com](http://www.CogbillConstruction.com)

